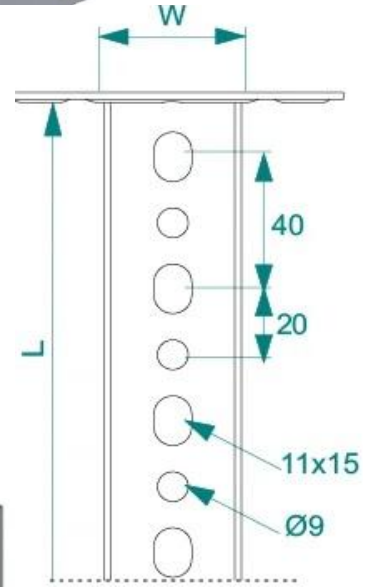
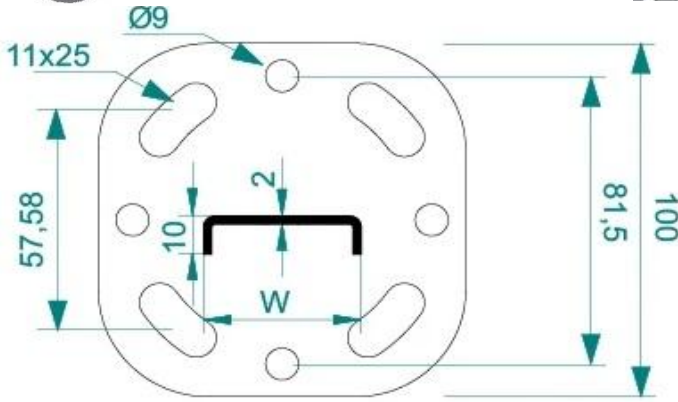
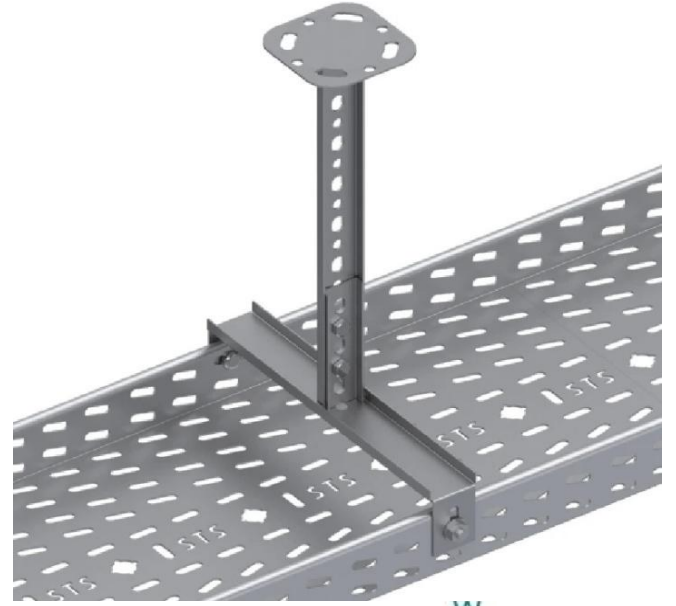
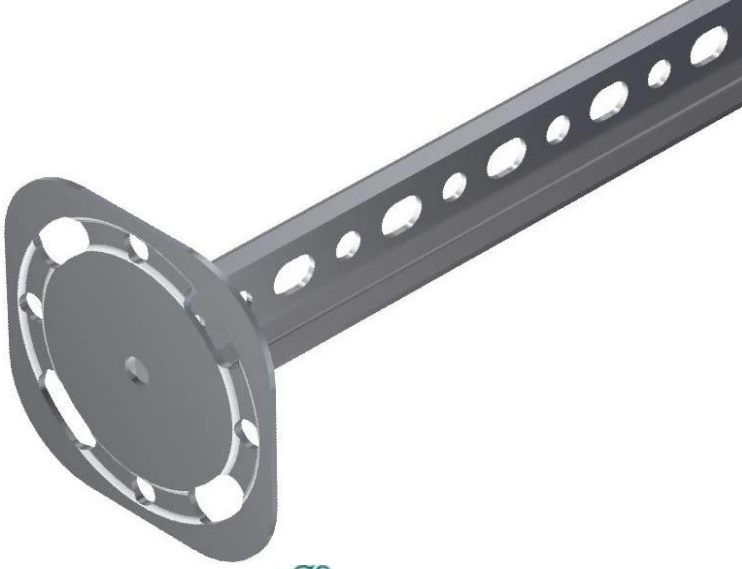





# UK Profil Tavan Montaj Elemanı STS-K2



 Sıcak Daldırma Galvaniz - Hot Dip Galvanized

 Pregalvaniz - Pregalvanized

Ürün Kodu Product Code	W mm	L mm	 Kg ad/pce.	 Kg ad/pce.
STS-K2-40	45	400	0,491	0,513
STS-K2-50	45	500	0,578	0,603
STS-K2-60	45	600	0,664	0,692
STS-K2-70	45	700	0,751	0,782
STS-K2-80	45	800	0,831	0,872
STS-K2-90	45	900	0,924	0,961
STS-K2-100	45	1000	1,011	1,051
STS-K2-120	45	1200	1,098	1,230
STS-K2-130	45	1300	1,184	1,320
STS-K2-140	45	1400	1,271	1,411

## Yüzey Koruma

Sıcak Daldırma Galvaniz TS 914  
Pre-galvaniz TS 822  
Elektrostatik Toz Boya

## Surface Protection

Hot Dip Galv. ISO EN 1461  
Pre-galvanization ISO EN 10143  
Electrostatic Sprey Painting

